



EPS is a modern security system designed to secure building and construction site edges, technical openings, passageways and other places where there is risk of falling from height.

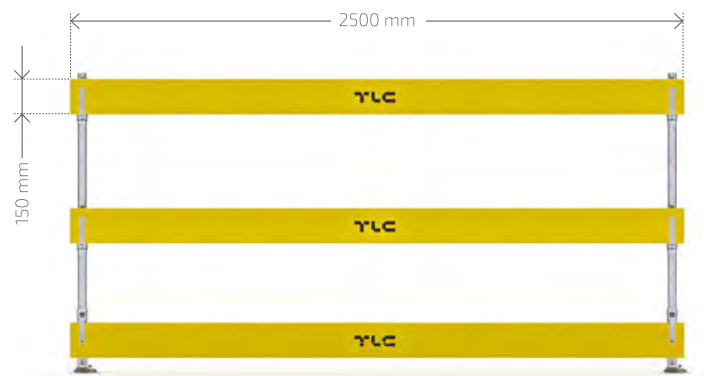
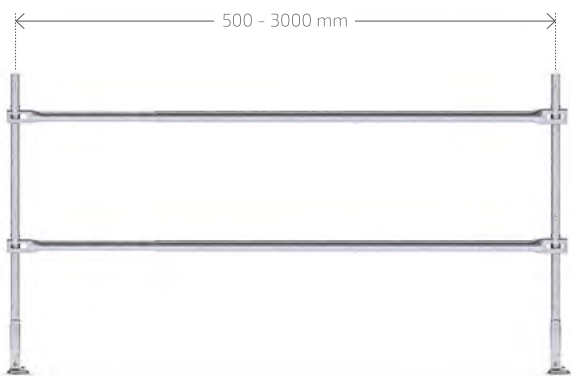
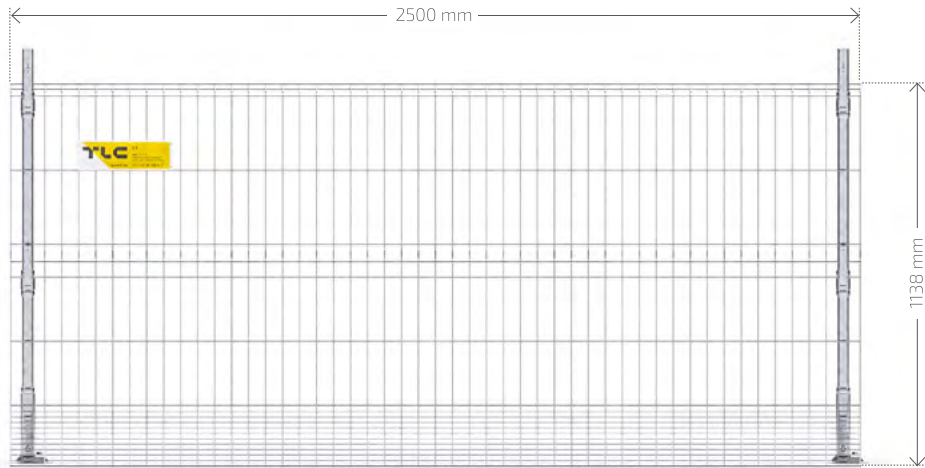


14 YEARS OF EXPERIENCE IN PRODUCTION

22 COMPLEMENTARY ACCESSORIES

13374 WE MEET ALL THE REQUIRED STANDARDS

* -Manufacturer certified according to EN 1090-1 issued by TUV SUD (Z527 notified body)



chosen system elements



Post extension
EPS-PRS-V2



System post
EPS-SL-V2



Horiz. screw-fastened holder
EPS-UPZ-V2



Vert. screw-fastened holder
EPS-UPN-V2



Horizontal permanent holder
EPS-UZH-V2



Vertical permanent holder
EPS-UZV-V2



Latching holder
EPS-UZT-V2



Girder holder
EPS-UDZ-V2



Drop-in holder
EPS-UW-V3



Holder for steel structures
EPS-UG-V2



Working platform holder
EPS-UPR



Stair holder
EPS-UUN-V4

Leaflet EPS ver. 1.3